

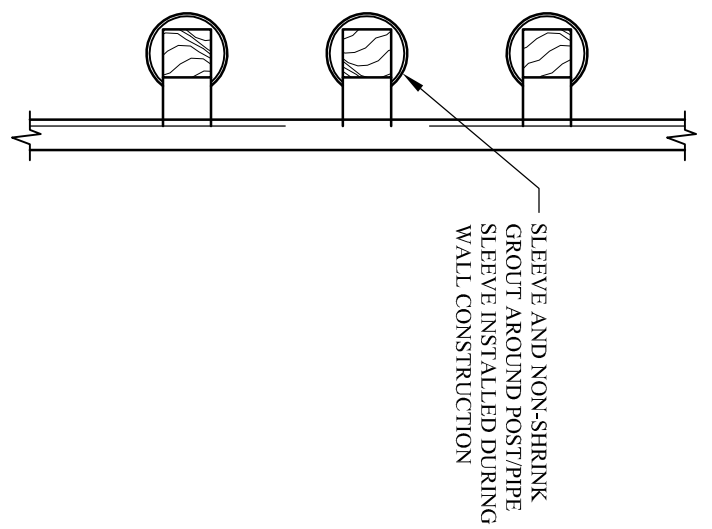
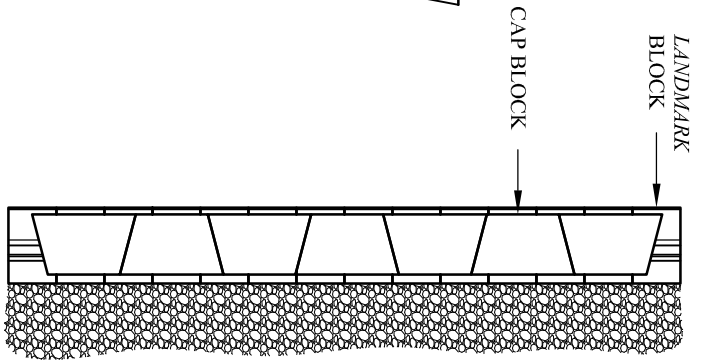
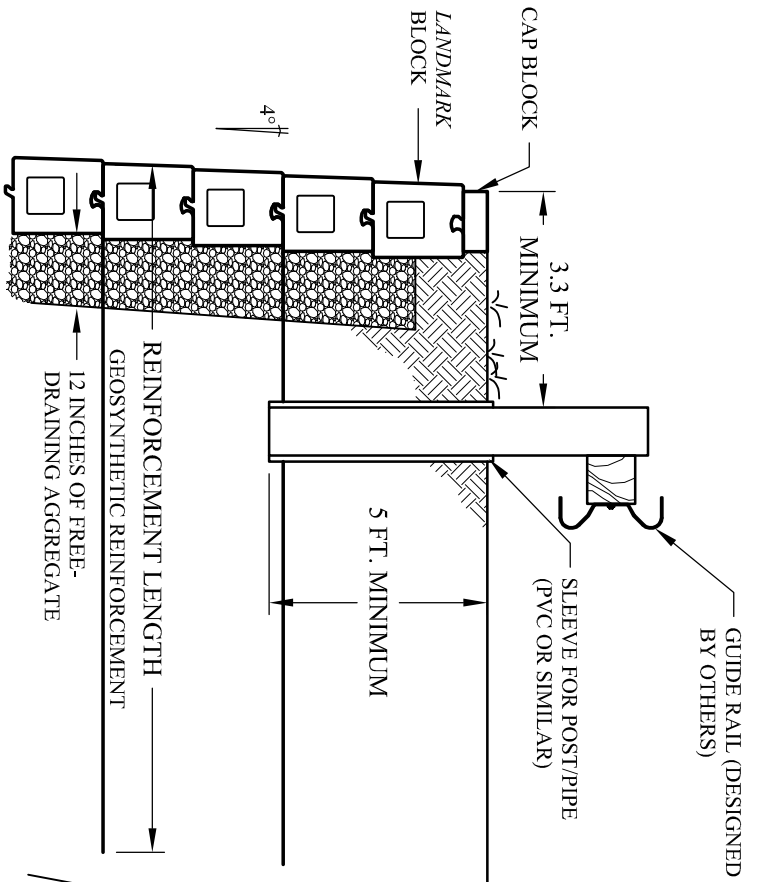


**ANCHOR™**  
**BUILD SOMETHING BEAUTIFUL**

Anchor Wall Engineering, LLC  
 5959 Baker Road, Suite 390  
 Minnetonka, MN 55345

These graphic representations are intended for preliminary design purposes only and are not to be used for construction without the signature of a registered professional engineer.

©2008 Anchor Wall Engineering, LLC  
 ® and ™ Anchor Wall Systems, Inc.



Drawn By: **AWE**

Date: **3/18/2008**

Scale: **3/8"=1'-0"**

Drawing Title: \_\_\_\_\_

Project Information: \_\_\_\_\_

**Landmark System  
 Guide Rail Detail**

Typical Retaining Wall Details  
 www.anchorwall.com