

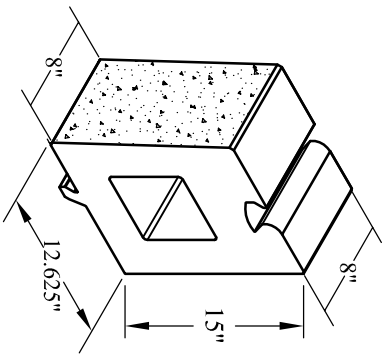


**ANCHOR™**  
BUILD SOMETHING BEAUTIFUL

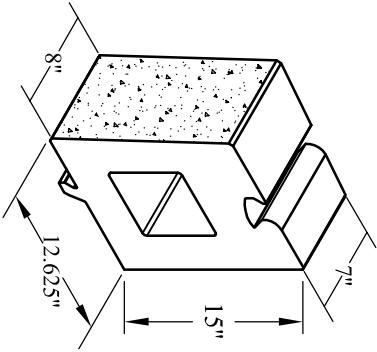
Anchor Wall Engineering, LLC  
5959 Baker Road, Suite 390  
Minnetonka, MN 55345

These graphic representations are intended for preliminary design purposes only and are not to be used for construction without the signature of a registered professional engineer.

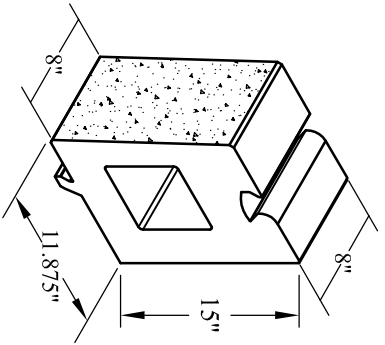
©2008 Anchor Wall Engineering, LLC  
® and ™ Anchor Wall Systems, Inc.



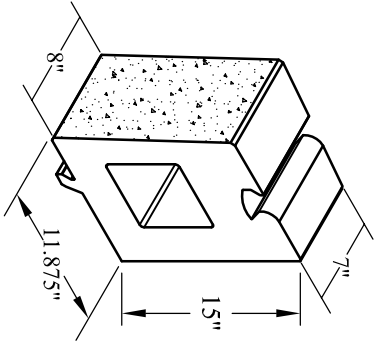
STRAIGHT UNIT - LARGE



TAPERED UNIT - LARGE



STRAIGHT UNIT - SMALL



TAPERED UNIT - SMALL

Drawn By: \_\_\_\_\_  
Drawing Title: \_\_\_\_\_

AWE

Date: 3/18/2008

Scale: None

Project Information: \_\_\_\_\_

Landmark System

Isometric Block Views -- Full Units

Typical Retaining Wall Details  
www.anchorwall.com