



ANCHOR™
BUILD SOMETHING BEAUTIFUL

Anchor Wall Engineering, LLC
 5959 Baker Road, Suite 390
 Minnetonka, MN 55345

These graphic representations are intended for preliminary design purposes only and are not to be used for construction without the signature of a registered professional engineer.

©2008 Anchor Wall Engineering, LLC
 ® and ™ Anchor Wall Systems, Inc.

Drawn By: AWE

Date: 3/18/2008

Scale: None

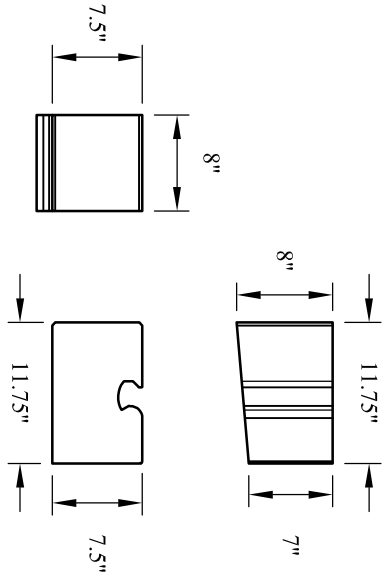
Drawing Title:

Project Information:

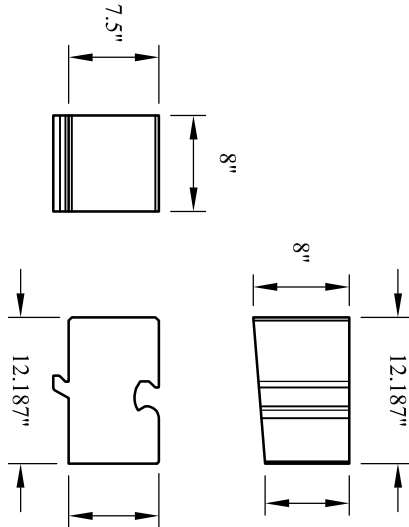
Landmark System
 Individual Block Details -- Other Units

Typical Retaining Wall Details
 www.anchorwall.com

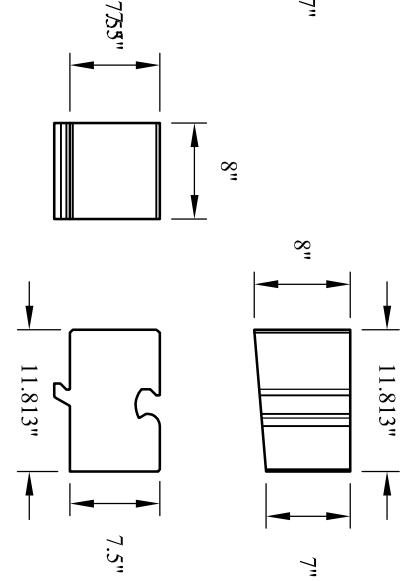
FOUNDATION UNIT



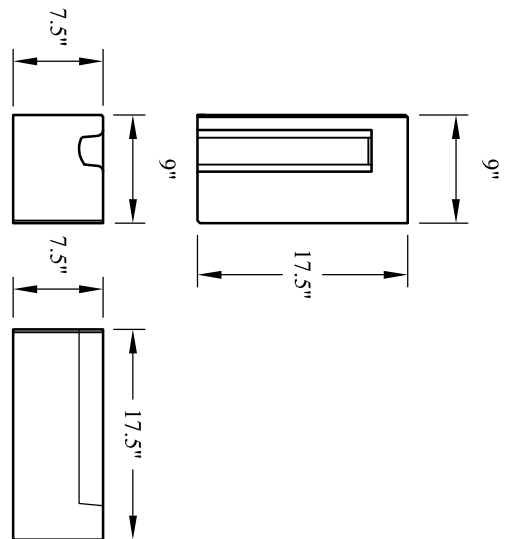
TAPERED UNIT - LARGE



TAPERED UNIT - SMALL



RIGHT CORNER



LEFT CORNER

