



**ANCHOR™**  
**BUILD SOMETHING BEAUTIFUL**

Anchor Wall Engineering, LLC  
 5959 Baker Road, Suite 390  
 Minnetonka, MN 55345

These graphic representations are intended for preliminary design purposes only and are not to be used for construction without the signature of a registered professional engineer.

©2008 Anchor Wall Engineering, LLC  
 ® and ™ Anchor Wall Systems, Inc.

Drawn By: AWE

Date: 3/18/2008

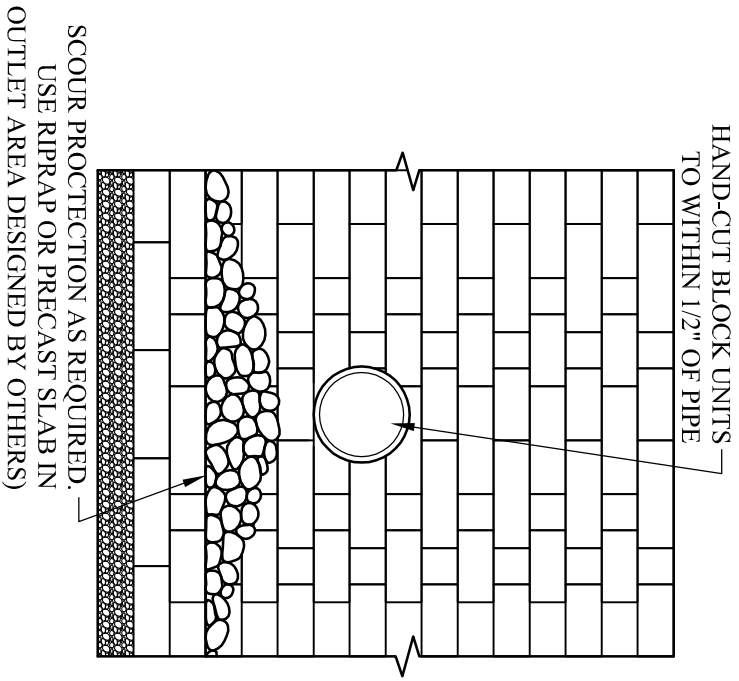
Scale: 3/8"=1'-0"

Drawing Title:

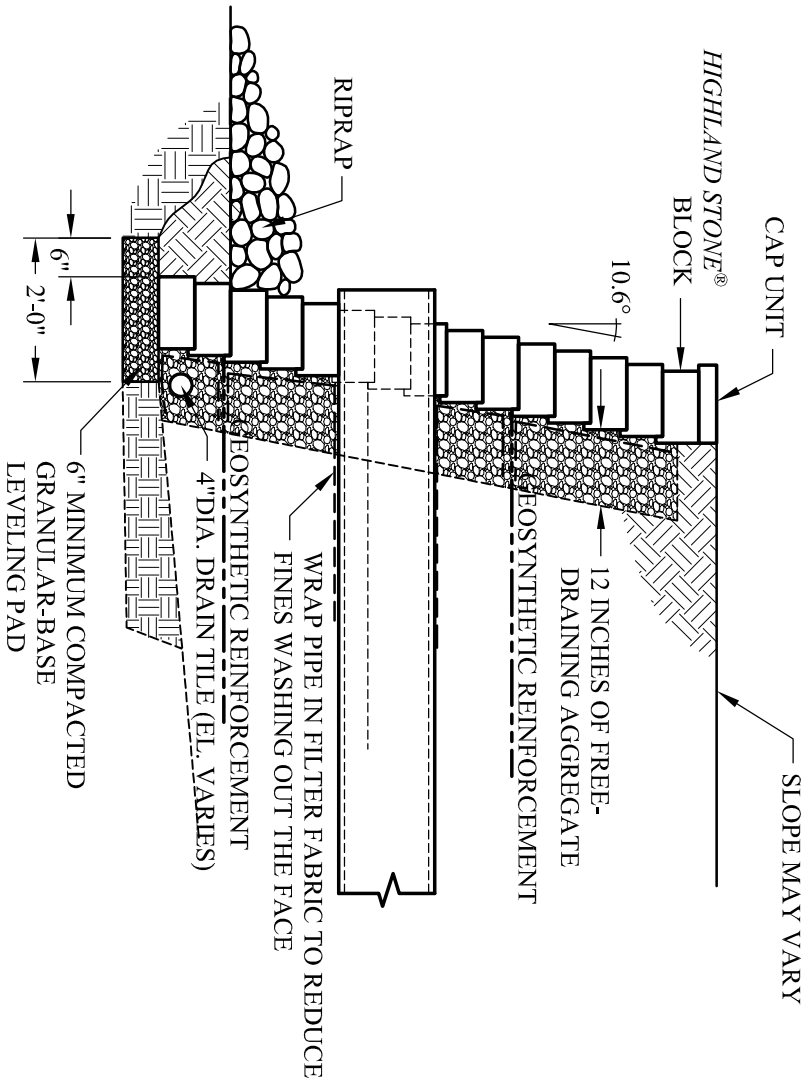
Highland Stone® Retaining Walls  
 Utilities Through Wall Face -- Small Pipe

Project Information:

Typical Retaining Wall Details  
 www.anchorwall.com



ELEVATION VIEW



SECTION VIEW