

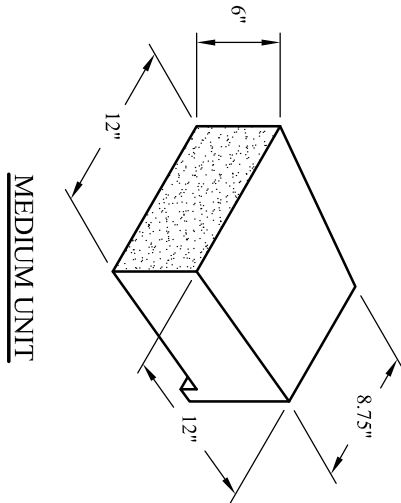
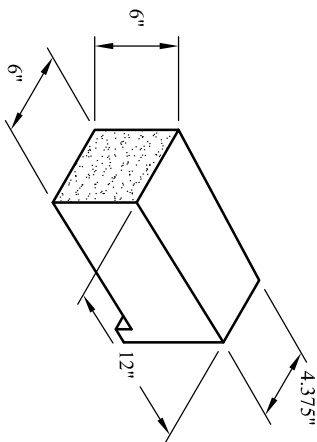
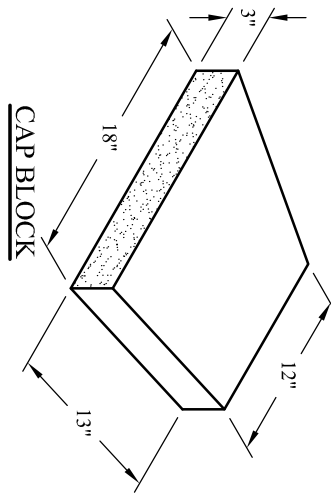
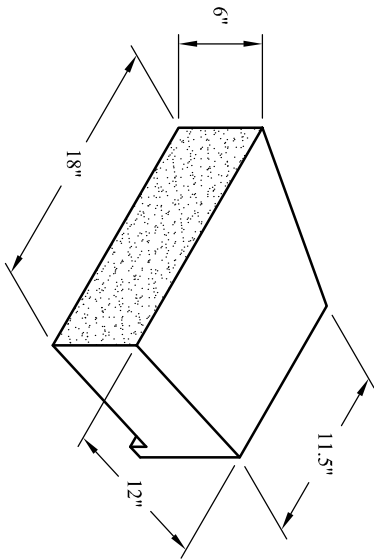


ANCHOR™
BUILD SOMETHING BEAUTIFUL

Anchor Wall Engineering, LLC
5959 Baker Road, Suite 390
Minnetonka, MN 55345

These graphic representations are intended for preliminary design purposes only and are not to be used for construction without the signature of a registered professional engineer.

©2008 Anchor Wall Engineering, LLC
® and ™ Anchor Wall Systems, Inc.



Drawn By: AWE

Date: 3/18/2008

Scale: None

Drawing Title:

Highland Stone® Retaining Walls
Isometric Block Views

Project Information:

Typical Retaining Wall Details
www.anchorwall.com