



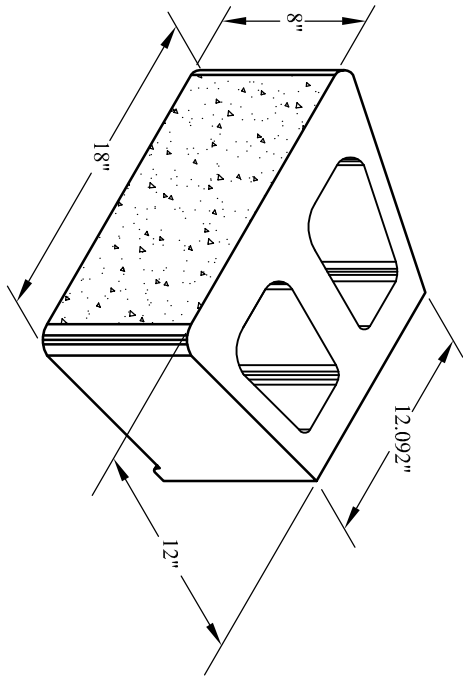
ANCHOR™

BUILD SOMETHING BEAUTIFUL

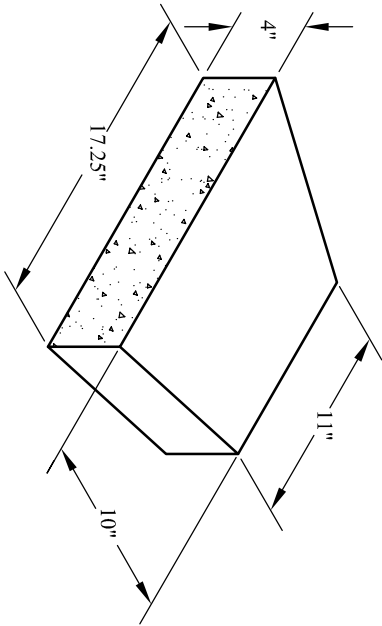
Anchor Wall Engineering, LLC
5959 Baker Road, Suite 390
Mimnetonka, MN 55345

These graphic representations are intended for preliminary design purposes only and are not to be used for construction without the signature of a registered professional engineer.

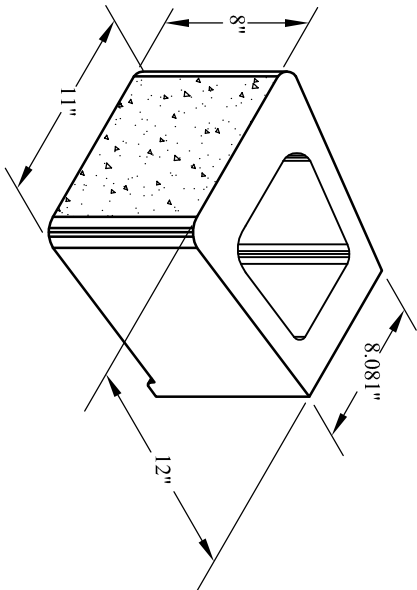
©2008 Anchor Wall Engineering, LLC
® and ™ Anchor Wall Systems, Inc.



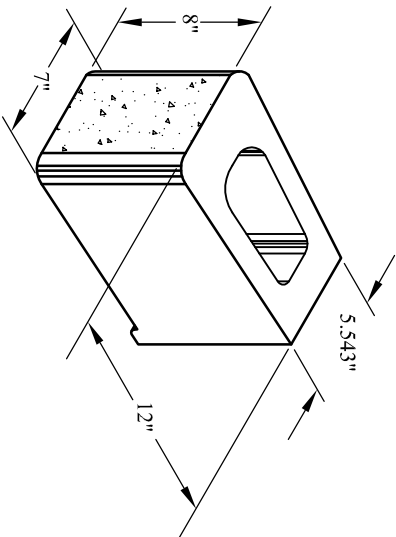
LARGE UNIT



CAP UNIT



MEDIUM UNIT



SMALL UNIT

Drawn By: AWE

Date: 3/18/2008

Scale: None

Drawing Title:

Diamond Pro Stone Cut™ Retaining Walls

Isometric Block Views

Project Information:

Typical Retaining Wall Details
www.anchorwall.com