



ANCHOR™
BUILD SOMETHING BEAUTIFUL

Anchor Wall Engineering, LLC
 5959 Baker Road, Suite 390
 Minnetonka, MN 55345

These graphic representations are intended for preliminary design purposes only and are not to be used for construction without the signature of a registered professional engineer.

©2008 Anchor Wall Engineering, LLC
 ® and ™ Anchor Wall Systems, Inc.

Drawn By: AWE

Date: 3/18/2008

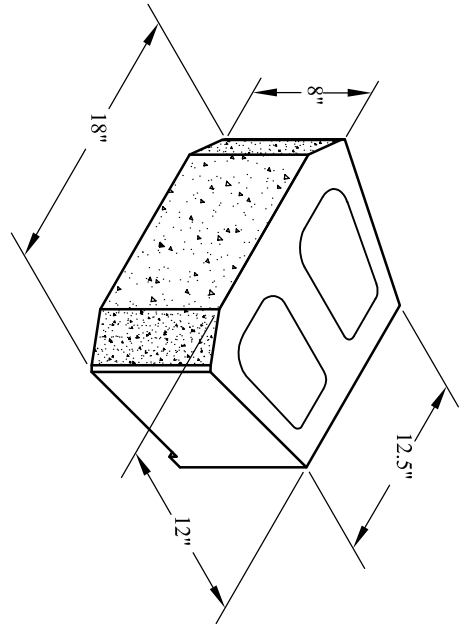
Scale: None

Drawing Title:

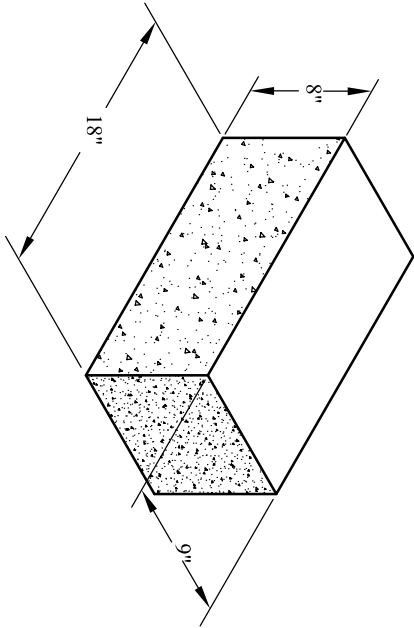
Diamond Pro® Retaining Wall System
Isometric Block Views

Project Information:

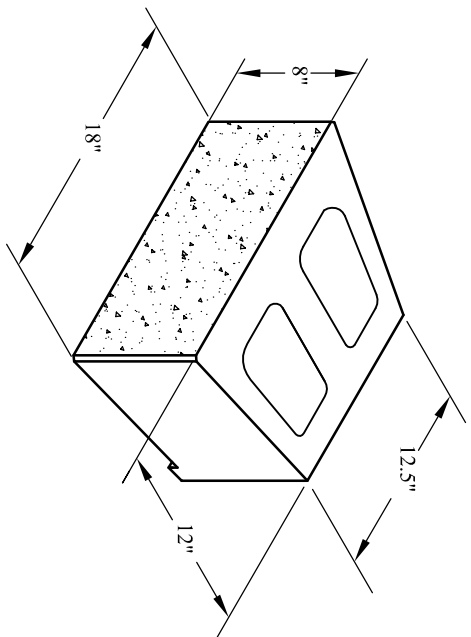
Typical Retaining Wall Details
 www.anchorwall.com



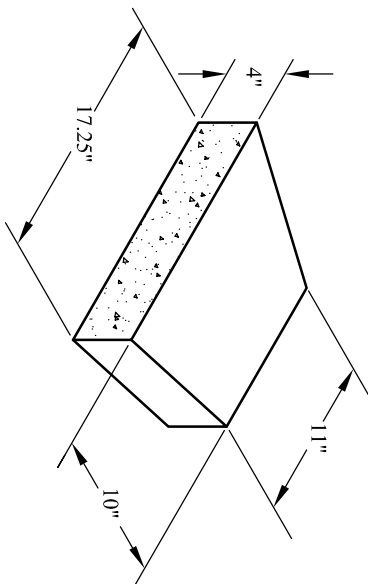
BEVELED UNIT



CORNER UNIT



STRAIGHT UNIT



CAP UNIT