



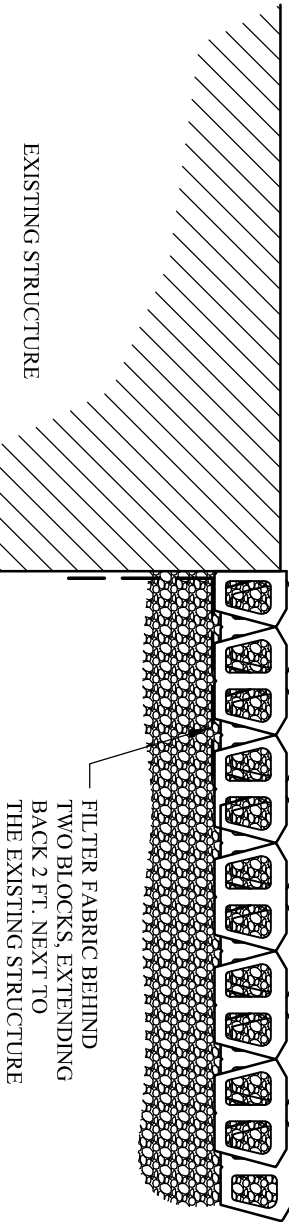
**ANCHOR**<sup>TM</sup>  
BUILD SOMETHING BEAUTIFUL

Anchor Wall Engineering, LLC  
5959 Baker Road, Suite 390  
Minnetonka, MN 55345

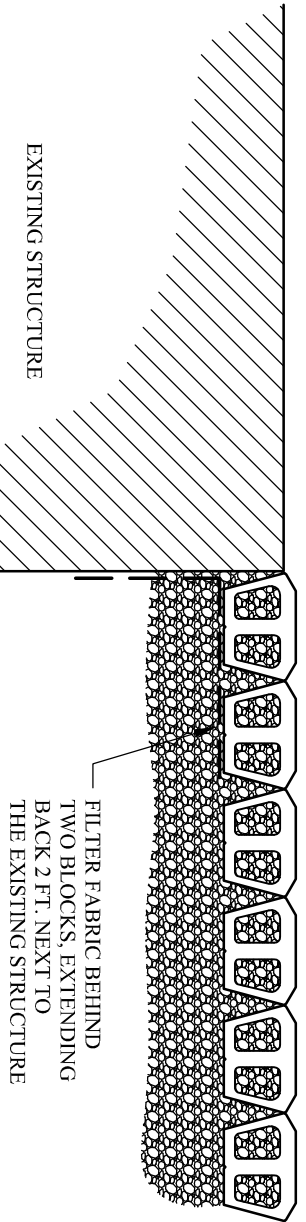
These graphic representations are intended for preliminary design purposes only and are not to be used for construction without the signature of a registered professional engineer.

©2008 Anchor Wall Engineering, LLC  
® and <sup>TM</sup> Anchor Wall Systems, Inc.

**SECOND COURSE**



**FIRST COURSE**



Drawn By: AWE

Date: 3/18/2008

Scale: 3/8"=1'-0"

Drawing Title:

**Diamond Pro<sup>®</sup> Retaining Wall System**  
**Wall Abutting Structure**

Project Information:

Typical Retaining Wall Details  
www.anchorwall.com