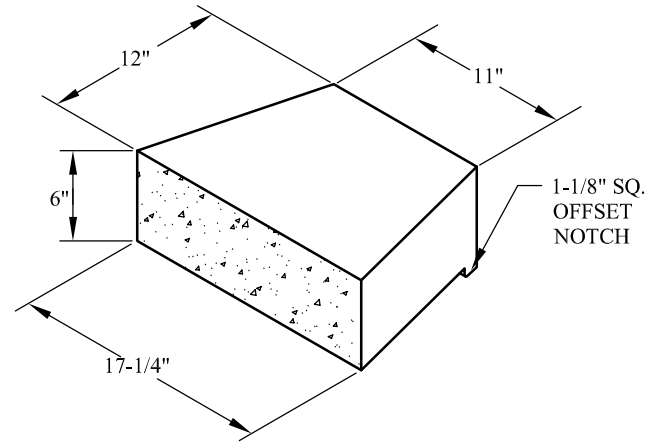
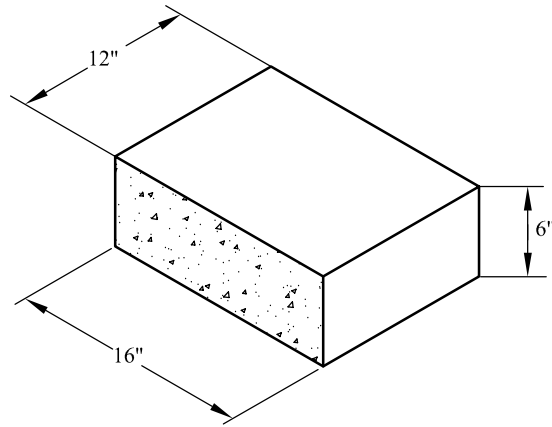


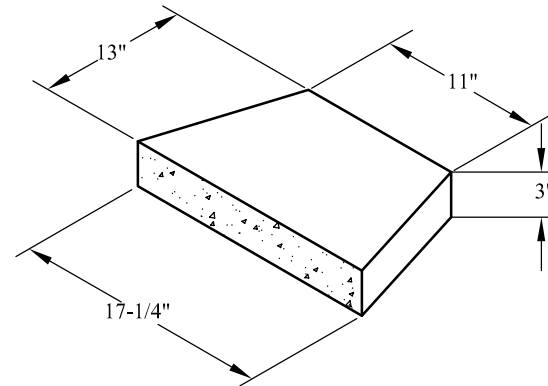
BEVELED UNIT



STRAIGHT UNIT



STEP UNIT



CAP UNIT



Anchor Wall Engineering, LLC  
5959 Baker Road, Suite 390  
Minnetonka, MN 55345

These graphic representations are intended for preliminary design purposes only and are not to be used for construction without the signature of a registered professional engineer.

©2008 Anchor Wall Engineering, LLC  
® and ™ Anchor Wall Systems, Inc.

Drawn By: AWE  
Date: 3/18/2008  
Scale: NONE

Drawing Title:  
Project Information:

Diamond® Retaining Walls  
Isometric Block Views

Typical Retaining Wall Details  
www.anchorwall.com