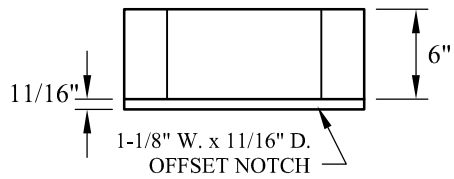
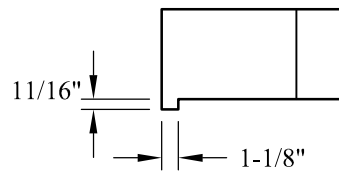


TOP VIEW

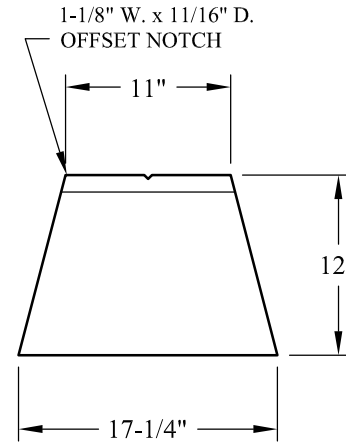


FACE VIEW

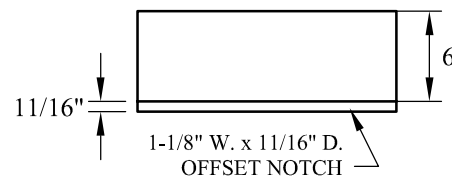


SIDE VIEW

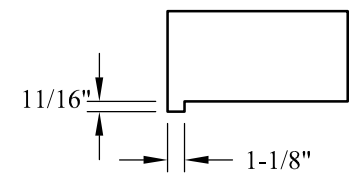
**BEVELED UNIT**



TOP VIEW



FACE VIEW



SIDE VIEW

**STRAIGHT UNIT**



Anchor Wall Engineering, LLC  
5959 Baker Road, Suite 390  
Minnetonka, MN 55345

These graphic representations are intended for preliminary design purposes only and are not to be used for construction without the signature of a registered professional engineer.

©2008 Anchor Wall Engineering, LLC  
® and ™ Anchor Wall Systems, Inc.

Drawn By: AWE  
Date: 3/18/2008  
Scale: NONE

Drawing Title:  
Project Information:

**Diamond® Retaining Walls  
Individual Block Details**

Typical Retaining Wall Details  
www.anchorwall.com